

SVK

Most important advantages

Energy class A

SVK buffer tank ensures highest energy class.

- very high thermal insulation class reduces heat losses up to 50%! Comparing to efficiency class C it saves up to 320 kWh annually

High thermal insulation and esthetics

- a class 65 mm insulation, made of polyurethane foam
- esthetic design and resistance to mechanical damage as cylinder's casing is made out of solid ABS material

Unbeatable quality

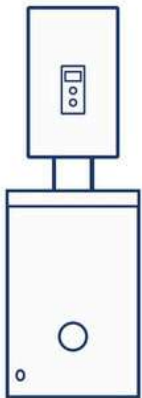
- products are made of the steel grades selected by our verified suppliers
- each device undergoes leakage tests and coating checks quality control

Easy installation

- CH connections directed up allow for easier connection to the installation of heat pump



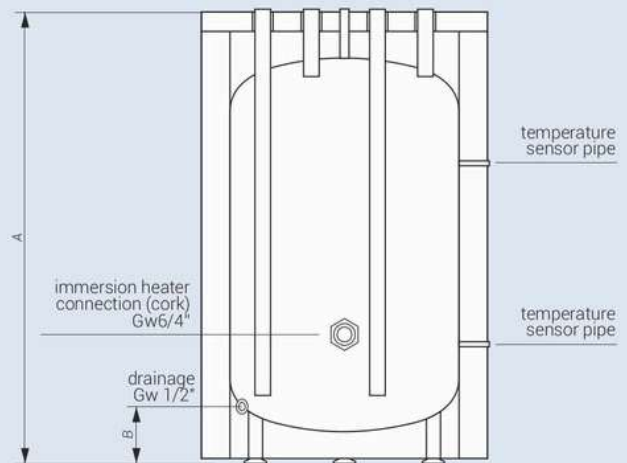
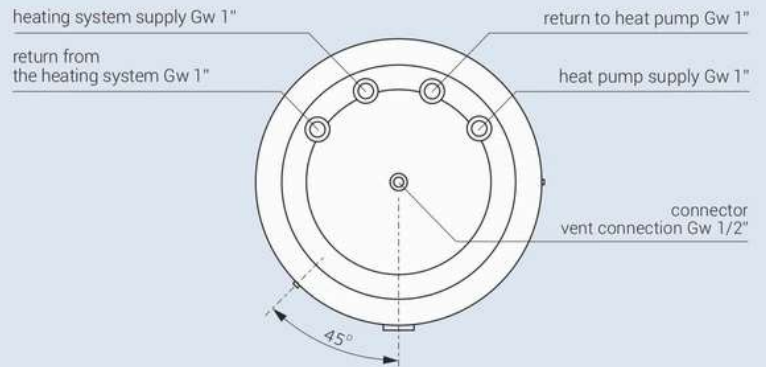
Perfect with central heating installation eg. with co-operation with heat pump



Additional equipment

Immersion heaters can be installed in the cylinder:
 GRW-1,4kW/230V; GRW-2,0kW/230V;
 GRW-3,0kW/230V; GRW-4,5kW/400V

Dimensions



	Diameter (mm)	A (mm)	B (mm)
SVK-100.1	595	906	127

Technical data

Product code	Storage capacity (l)	Rated pressure (MPa)	Thickness / material / type of insulation (mm) **	Stand-by-losses (W) ***
SVK-100.1	101	0,3 MPa	65/PUR/NR	31

* Detailed warranty conditions are described in the warranty card

** Insulation: R- removable, NR- not removable.

*** In line with EU Commission resolution no. 812/2013, 814/2013.